

## 14004911-001 Adaptor Plate Assembly for TP9600 Series Thermostat

### INSTALLATION INSTRUCTIONS

#### GENERAL

##### IMPORTANT

*This form describes replacement of existing Johnson, Powers, and Robertshaw thermostats with a TP9600 Series Thermostat and 14004911-001 Series Adaptor Plate.*

The appropriate TP9600 Series Thermostat, selected from Table 1, replaces newer (small size) models of Johnson, Powers, or Robertshaw vertical or horizontal pneumatic thermostats used in two-pipe applications and mounted on hollow wall (drywall) construction with air connections made directly to the thermostat using 5/32 in. plastic tubing, without the use of a wall fitting.

Installation requires the following tools:

- 1/16 in. Allen wrench
- 0.050 in. Allen wrench Thermostat Tool CCT735A
- Side cutters (diagonals) or knife to cut tubes
- Phillips screwdriver
- Standard screwdriver
- 5/32 in. tubing plug (optional), CCT1814 (plastic) or CCT1815 (aluminum)

Honeywell Thermostat Tool Kit CCT3863 includes thermostat Tool, thermostat key, and gage adapter.

**Table 1. TP9600 Series Cross-Reference.**

√	Order No.	Description	Johnson	Powers	Robertshaw*	
					Original	Uni-line
	TP9600A 1007	Pneumatic thermostat; direct acting; range 60 to 90F. Cover: setpoint visible and adjustable; thermometer visible.	T4002-201 T4002-203 T4002-6201	TH192-202 TH192-200† TH192-222§	T18-301 T18-3011 T12-301	2212-118 2212-128 2211-112†
	TP9603A 1001	Pneumatic thermostat; direct acting; range 60 to 90F. Cover: setpoint concealed; thermometer concealed.	T4002-6203 T4101-1† T4101-6001†		T12-3011	2211-512† ** 2211-012†
	TP9600B 1006	Pneumatic thermostat; reverse acting; range 60 to 90F. Cover: setpoint visible and adjustable; thermometer visible.	T4002-202 T4002-204 T4002-6202	TH192-203 TH192-201† TH192-223§	T19-301 T19-3011 T13-301	2212-119 2212-129 2212-519**
	TP9603B 1000	Pneumatic thermostat; reverse acting; range 60 to 90F. Cover: setpoint concealed; thermometer concealed.	T4002-6204 T4001-2† T4001-6002†		T13-3011	2211-013 2211-113 2211-513**
	TP9610A 1006§§	Pneumatic thermostat; direct acting; heating; day/night; 13/18 main pressure; day range 60 to 90F. Cover: setpoint visible and adjustable; thermometer visible.	T4506-201 T4506-202 T4506-6201 T4506-6202 T4506-203§	TH192-204 TH192-224††	T27-301 T27-3011 T23-301 T23-3011	2216-126 2216-136 2216-526** 2214-121§ 2214-131§ 2214-521**
	TP9613A 1000§§	Pneumatic thermostat; direct acting; heating; day/night; 13/18 main pressure; day range 60 to 90F. Cover: setpoint concealed; thermometer concealed.	T4506-204** T4506-6203§ T4506-6204§			
	TP9620A 1005	Pneumatic thermostat; 13 psi main reverse acting and 18 psi main direct acting; range 60 to 90F. Cover: setpoint visible and adjustable; thermometer visible.	T4756-217 T4756-205 T4756-206 T4756-6217 T4756-6205	TH192-208 TH192-2082 TH192-228††	T32-301 T32-3011 T32-501	2218-132 2218-142 2218-134 2218-532**
	TP9623A 1009	Pneumatic thermostat; 13 psi main reverse acting and 18 psi main direct acting; range 60 to 90F. Cover: setpoint concealed; thermometer concealed.	T4756-6206			

\* For 2 in. x 2 in. Thermostat mounted without 3 in. x 3 in. wall plate.

† Kit can be used only if two-pipe wall fitting installed originally.

§ Use kit if DAY/NITE lever feature is acceptable.

\*\* Original thermostat was part of a kit.

†† Use kit if Fahrenheit scale is acceptable.

§§ Order 14001992-001 changeover spring if 16/21 psi changeover is required.

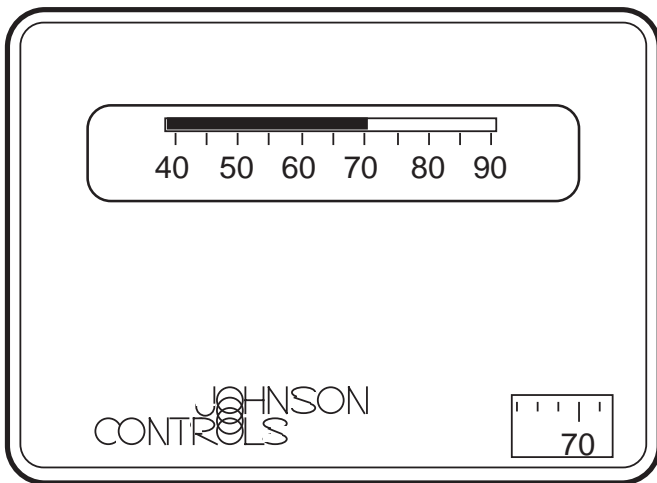


## INSTALLATION

Use the following procedures for removing each manufacturer's thermostat and installing the appropriate TP9600 Series Thermostat and 14004911-001 Series Adaptor Plate Kit. When the old mounting plate is removed, retain the screws for use when mounting the adapter plate. Cut the existing tubes as close as possible to the thermostat. Do NOT remove the antikink springs from cut tubes. Do NOT allow tubes to slip inside the wall after removing the old thermostat.

### Remove Johnson Thermostat

- ❶ Loosen (counterclockwise) top and bottom screws to remove cover.
- ❷ Remove thermostat mounting screws at top and bottom, and remove thermostat from mounting plate.
- ❸ Cut tubes near air head and temporarily plug main line to conserve air.
- ❹ Remove mounting plate and retain screws.
- ❺ Proceed to Install New Thermostat.

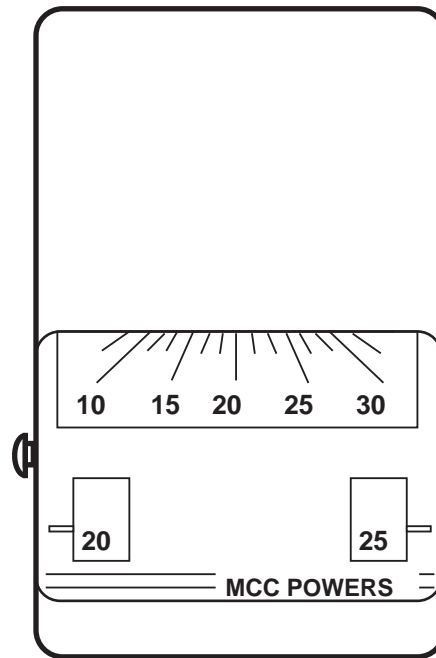


C2313

Fig. 1. Johnson Thermostat.

### Remove Powers Thermostat

- ❶ Loosen (counterclockwise) screws on each side to remove cover.
- ❷ Pull thermostat from the mounting plate.
- ❸ Cut tubes near connector and temporarily plug main line to conserve air.
- ❹ Remove old mounting plate and retain screws.
- ❺ Proceed to Install New Thermostat.

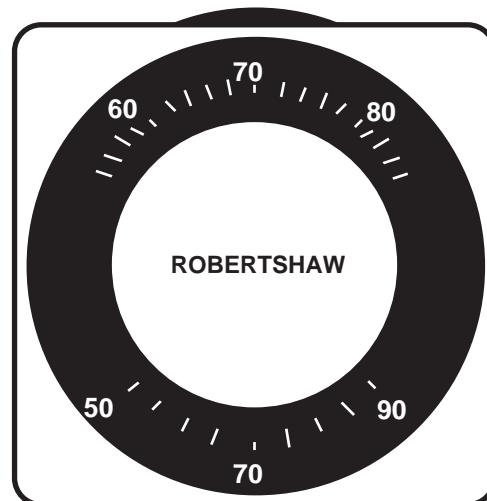


C2314

Fig. 2. Powers Thermostat.

### Remove Robertshaw Thermostat

- ❶ Turn cover screw on bottom inward (clockwise) to remove cover.
- ❷ Remove mounting screws, retain screws, and remove thermostat from mounting plate.
- ❸ Do NOT remove mounting plate.
- ❹ Cut tubes near fitting and temporarily plug main line to conserve air.
- ❺ Proceed to Install New Thermostat.

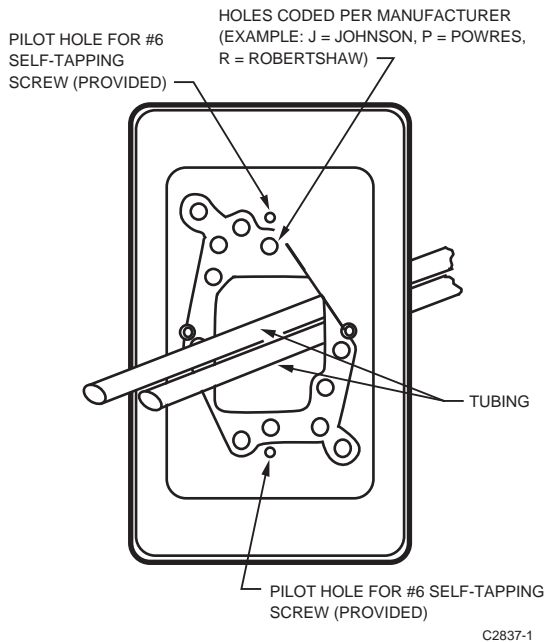


C2315

Fig. 3. Robertshaw Thermostat.

## Install New Thermostat

- 1 Feed the tubes through the large hole in adapter plate (Fig. 4).
- 2 Match holes of the adapter plate to the wall screw holes. Mount adapter plate using screws retained. Do NOT over-tighten the screws.



**Fig. 4. Adapter Plate Installation.**

**NOTE:** If any wall screw holes coincide with the noncoded pilot holes on the adapter plate (Fig. 4), proceed as follows (If not, continue with Step 3.):

With adaptor plate away from the wall, ream out or strip the noncoded pilot holes by tightening the screws retained when removing the old mounting plate. Tighten with enough force so that the screws move freely. Remove and retain screws. If the wall screw holes are larger than #6, enlarge the adapter plate holes to allow enough clearance for the screws.

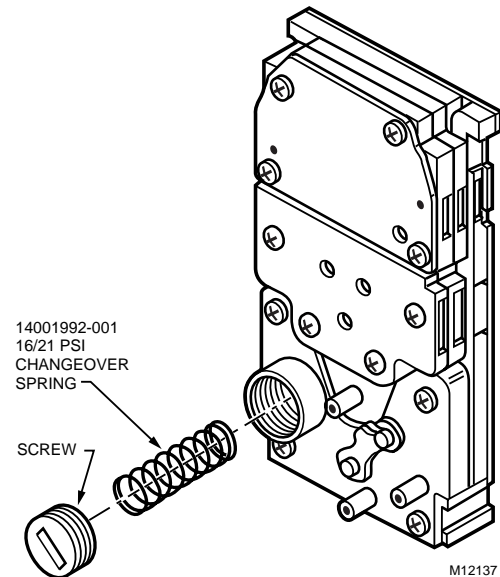
When adapting to a Johnson thermostat, if the holes in the wall are out of alignment with the adapter plate holes, use any available hole for an additional wall anchor.

- 3 After removing temporary plug, push tubes onto the thermostat backplate (mainline tube has air blowing out and must be connected to the M barb connection on rear of backplate).
- 4 Attach backplate (provided with thermostat) to adapter plate with thread-forming screws provided with the thermostat. Do NOT over-tighten the screws.
- 5 Continue to install thermostat referring to instructions provided with it.

## TP9610A 1006 and TP9613A 1000 Changeover Spring Replacement

Use the following procedure if the thermostat is a TP9610A 1006 or TP9613A 1000, and a 14001992-001 changeover spring is required (see Table 1).

- 1 Using a screwdriver, carefully remove the screw and changeover adjustment spring (Fig. 5).
- 2 Replace the spring, then carefully position and replace the screw.
- 3 Ensure that main line pressure is set to low pressure requirement (16 psi).
- 4 Turn the setpoint indicator adjustment until the setpoint indicator reads 5F (2.8C) below actual temperature.
- 5 BLP gage should read 16 psi (90 kPa) (DA). If it does not, turn changeover adjustment screw clockwise until it does.
- 6 Turn the changeover adjustment screw counterclockwise until the pressure begins to decrease (DA). This indicates changeover. Allow the gage to go to 0 psi (0 kPa) (DA).
- 7 Turn the changeover adjustment screw counterclockwise until the pressure increases to full main line pressure (DA). Turn the changeover adjustment screw an additional 1/8 to 1/4 turn clockwise. Changeover is calibrated.



**Fig. 5. Changeover Spring Replacement and Adjustment.**

**Honeywell**

---

**Home and Building Control**

Honeywell Inc.  
Honeywell Plaza  
P.O. Box 524  
Minneapolis MN 55408-0524

**Home and Building Control**

Honeywell Limited-Honeywell Limitée  
155 Gordon Baker Road  
North York, Ontario  
M2H 2C9

*Helping You Control Your World®*